

Ersatzteilliste
Spare parts list

Motorhacke
Garden Rotor Tiller

503 / 508

MADE IN GERMANY
MADE
BY
SOLO



503
SAISON 1999/2000

Pneumatische Kupplungsbetätigung
Vacuum-control version
Version commande à dépression

Gültig ab: Serien Nummer
Valid as per: Serial Number
Valable à partir de: No. de série
9/99 10 00 114

508
SAISON 1999/2000

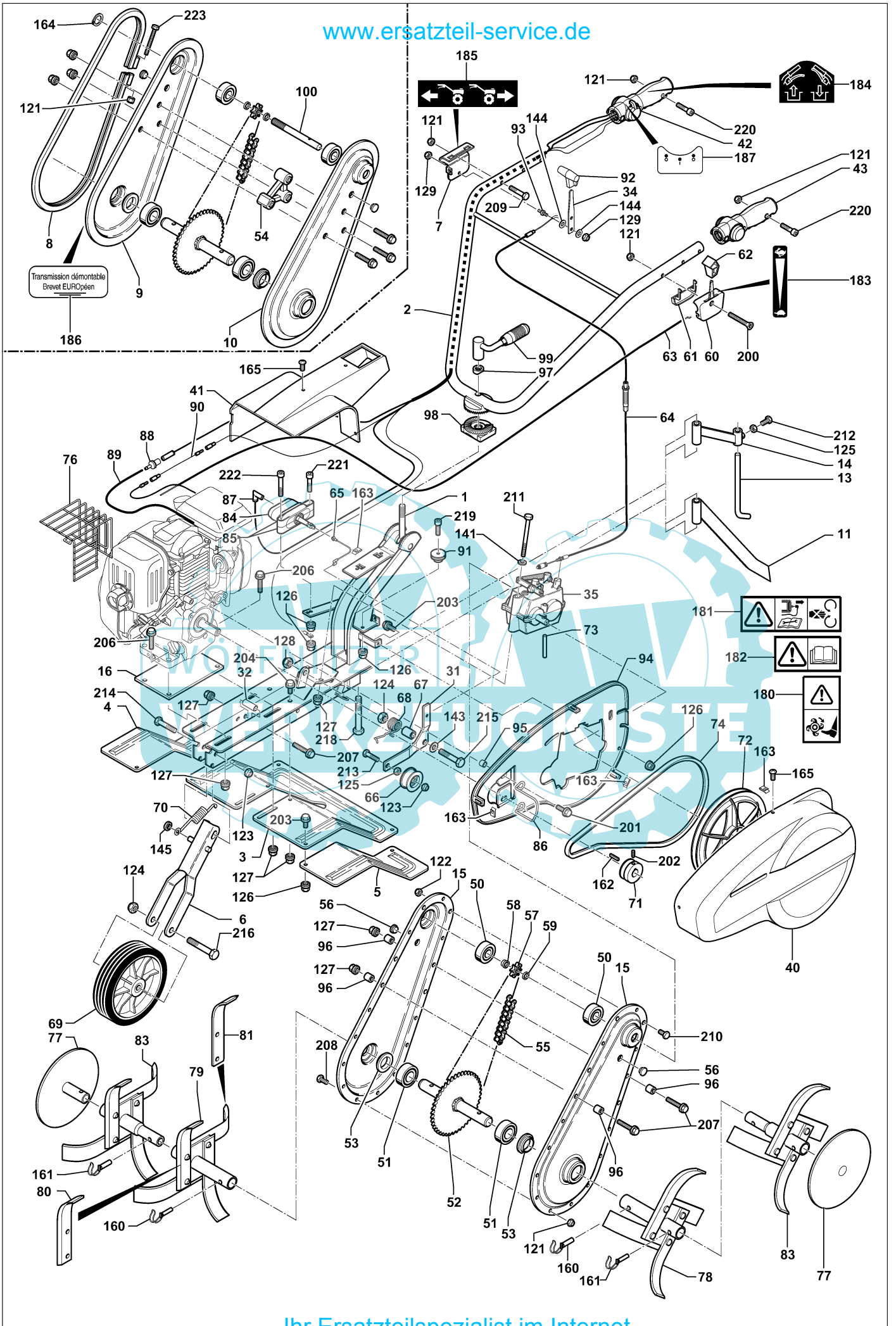
Pneumatische Kupplungsbetätigung
Vacuum-control version
Version commande à dépression

Gültig ab: Serien Nummer
Valid as per: Serial Number
Valable à partir de: No. de série
9/99 10 00 002

Stand 02/2000
keine Best.-Nr., da Fremdfabr.

Ihr Ersatzteilspezialist im Internet

solo[®]



| Rep N° | Ref. | Rq Rk | Désignation | Description | Qté Qty |
|--------|----------|-------|-------------------------------------|--|---------|
| | 57721500 | | Carter complet à jonc Rouge 3001 | Complete casing, flanged Red 3001 | |
| | 57722500 | | Carter complet à jonc Bleu | Complete casing, flanged Blue | |
| | 57723500 | | Carter complet à jonc Gris 8120 | Complete casing, flanged Grey 8120 | |
| | 11302500 | | Carter complet boulonné | Complete casing, bolt-together | |
| 1 | 11701101 | | Châssis Gris 8120 | Chassis Grey 8120 | 1 |
| | 24511101 | | Châssis Gris 627 | Chassis Grey 627 | |
| 2 | 21510103 | | Guidon Gris métal | Handlebars Grey metal | 1 |
| | 11301103 | | Guidon Gris 8120 | Handlebars Grey 8120 | |
| | 11414103 | | Guidon Blanc | Handlebars White | |
| 3 | 57103007 | | Tôle protection centrale Gris 627 | Gear protective cover Grey 627 | 1 |
| | 12601007 | | Tôle protection centrale Gris 8120 | Gear protective cover Grey 8120 | |
| | 12611007 | | Tôle protection centrale Rouge 3001 | Gear protective cover Red 3001 | |
| 4 | 57103008 | | Extension droite Gris 627 | R.H.S guard extension Grey 627 | 1 |
| | 12601008 | | Extension droite Gris 8120 | R.H.S guard extension Grey 8120 | |
| | 12611008 | | Extension droite Rouge 3001 | R.H.S guard extension Red 3001 | |
| 5 | 57103009 | | Extension gauche Gris 627 | L.H.S guard extension Grey 627 | 1 |
| | 12601009 | | Extension gauche Gris 8120 | L.H.S guard extension Grey 8120 | |
| | 12611009 | | Extension gauche Rouge 3001 | L.H.S guard extension Red 3001 | |
| 6 | 12601005 | | Supp roue transport Noir | Front wheel bracket | 1 |
| 7 | 11701105 | | Tôle levier vitesse droite | Gear lever cover, RHS | 1 |
| 8 | 12711033 | | Jonc Rouge 3001 | Flange Red 3001 | 1 |
| | 12711034 | | Jonc Bleu | Flange Blue | |
| | 12711032 | | Jonc Gris 8120 | Flange Grey 8120 | |
| 9 | 11301130 | | Joue carter eco droite | Transmission housing, RHS | 1 |
| 10 | 11301131 | | Joue carter eco gauche | Transmission housing, LHS | 1 |
| 11 | 12611011 | | Éperon | Key | 1 |
| 13 | 12611013 | | Tige de béquille | Prop leg | 1 |
| 14 | 12611014 | | Corps de béquille | Prop body | 1 |
| 15 | 11302130 | | Joue carter boulonné | Transmission housing | 2 |
| 16 | 26501112 | | Réhausse moteur Robin | Raising panel Robin | 1 |
| 31 | 11701140 | | Levier embrayage | Clutch lever | 1 |
| 32 | 11301145 | | Entretoise châssis | Spacer | 1 |
| 34 | 25111008 | | Manette de vitesse | Gear lever | 1 |
| 35 | 57720996 | | Réducteur Mar mécanique | Reversing gearbox | 1 |
| 40 | 14226 | | Capot courroie Jaune | Belt cowl Yellow | 1 |
| | 14224 | | Capot courroie Rouge 3001 | Belt cowl Red 3001 | |
| | 14231 | | Capot courroie Vert | Belt cowl Green | |
| | 14233 | | Capot courroie Orange | Belt cowl Orange | |
| | 14242 | | Capot courroie Rouge 3020 | Belt cowl Red 3020 | |
| | 14243 | | Capot courroie Bleu | Belt cowl Blue | |
| 41 | 14225 | | Capot mancheron Jaune | Handle cowl Yellow | 1 |
| | 14223 | | Capot mancheron Rouge 3001 | Handle cowl Red 3001 | |
| | 14230 | | Capot mancheron Vert | Handle cowl Green | |
| | 14232 | | Capot mancheron Orange | Handle cowl Orange | |
| | 14241 | | Capot mancheron Rouge 3020 | Handle cowl Red 3020 | |
| | 14239 | | Capot mancheron Bleu | Handle cowl Blue | |
| 42 | 12173 | | Poignée droite + faisceau Rouge | RH grip + Pipes Red | 1 |
| | 12175 | | Poignée droite + faisceau Orange | RH grip + Pipes Orange | |
| | 12179 | | Poignée droite + faisceau Bleu | RH grip + Pipes Blue | |
| | 12170 | | Poignée droite + faisceau Jaune | RH grip + Pipes Yellow | |
| 43 | 12144 | | Poignée gauche Rouge | LH grip Red | 1 |
| | 12146 | | Poignée gauche Orange | LH grip Orange | |
| | 12150 | | Poignée gauche Bleu | LH grip Blue | |
| | 12134a | | Poignée gauche Jaune | LH grip Yellow | |
| 50 | 12503 | | Roulement | Ball-race | 2 |
| 51 | 12542 | | Roulement | Ball-race | 2 |
| 52 | 15038 | | Arbre de travail | Blade shaft | 1 |
| 53 | 46097 | | joint de carter | Joint | 2 |
| 54 | 14088 | | Entretoise plastique | Spacer | 1 |
| 55 | 13292 | | Chaîne | Chain | 2 |
| 56 | 12793 | | Bouchon | Grease cap | 1 |
| 57 | 13372 | | Pignon 8 dts | Cogwheel | 1 |
| 58 | 16032 | | Entretoise épaulée | Shouldered spacer | 1 |
| 59 | 16031 | | Entretoise carter | Spacer | 1 |
| 60 | 64948 | | Manette gaz | Accelerator lever | 1 |
| 61 | 62754 | | Cache manette | Accelerator lever housing | 1 |
| 62 | 68363 | | Embout manette gaz | Accelerator knob | 1 |
| 63 | 62764 | | Câble gaz (GC/B.S. 5,5Hp) | Throttle cable (GC/B.S. 5,5Hp) | 1 |
| | 13130 | | Câble gaz (B.S. 3,5Hp/B.S. 5Hp) | Throttle cable (B.S. 3,5Hp/B.S. 5Hp) | |
| | 13207 | | Câble gaz (Robin EY 20) | Throttle cable (Robin EY 20) | |
| | 13129 | | Câble gaz (Geotec) | Throttle cable (Geotec) | |
| 64 | 13192 | | Câble inversion vitesse | Reverse gear cable | 1 |
| 65 | 13206 | | Câble embrayage | Clutch cable | 1 |
| 66 | 12162 | | Galet embrayage | Runner | 1 |
| 67 | 16034 | | Entretoise levier embrayage | Spacer | 1 |
| 68 | 65133 | | Ressort embrayage | Spring | 1 |
| 69 | 14090 | | Roue avant | Front wheel | 1 |
| 70 | 65026 | | Ressort roue transport | Spring | 1 |
| 71 | 15177a | | Poulie moteur Mav arbre Ø19,05 | Motor pulley Forward gear (Shaft Ø19,05) | 1 |
| | 15436 | | Poulie moteur Mav arbre Ø20 | Motor pulley Forward gear (Shaft Ø20) | |
| | 15415 | | Poulie moteur Mav-Marr arbre Ø19,05 | Motor pulley Forward/Reverse gear (Shaft Ø19,05) | |
| | 15432 | | Poulie moteur Mav-Marr arbre Ø20 | Motor pulley Forward/Reverse gear (Shaft Ø20) | |
| 72 | 14135 | | Poulie transmission | Transmission pulley | 1 |
| 73 | 15098 | | Axe fixation poulie | Pulley shaft | 1 |
| 74 | 13598 | | Courroie Mav | Forward gear belt | 1 |
| | 13567 | | Courroie Mav-Marr | Forward drive belt | |

| Rep N° | Ref. | Rq Rk | Désignation | Description | Qté Qty |
|--------|--------|-------|---|--|---------|
| 76 | 64487 | | Grille échappement (BS 5HP) | Exhaust grill (BS 5HP) | 1 |
| | 14744 | | Grille échappement (BS 3,5HP) | Exhaust grill (BS 3,5HP) | 1 |
| 77 | 55102 | | Disque | Disk | 2 |
| 78 | 55201 | | Étoile départ double 40x4 G | Twin rotating blades 40x4 L | 1 |
| | 55098 | | Étoile départ simple 40x4 G | Simple rotating blades 40x4 L | 1 |
| 79 | 55200 | | Étoile départ double 40x4 D | Twin rotating blades 40x4 R | 1 |
| | 55097 | | Étoile départ simple 40x4 D | Simple rotating blades 40x4 R | 1 |
| 80 | 81907 | | Couteau gauche | Blade, LH | 1 |
| 81 | 81906 | | Couteau droit | Blade, RH | 1 |
| 82 | 55150 | | Étoile addit. dém. gauche | Additional blade assembly, LH | 1 |
| 83 | 55103 | | Étoile addit. dém. droite | Additional blade assembly, RH | 1 |
| 84 | 14240 | | Vérin | Control cylinder | 1 |
| 85 | 14229 | | Collier vérin | Collar | 2 |
| 86 | 14989 | | Guide courroie Mav-Marr | Drive-belt guide Forward/Reverse gear | 1 |
| | 14988 | | Guide courroie Mav | Drive-belt guide Forward gear | 1 |
| 87 | 14244 | | Connecteur vérin | Connector | 1 |
| 88 | 14228 | | Clapet AR +embout | Non-return flap | 1 |
| 89 | 14215a | | Tube connection moteur GC/Briggs | Vacuum tube, motor GC/Briggs | 1 |
| | 14245 | | Tube connection moteur Robin | Vacuum tube, motor Robin | 1 |
| 90 | 13214 | | Fil arrêt moteur BS 3,5Hp | Engine cut-of wire (BS 3,5Hp) | 1 |
| | 13215 | | Fil arrêt moteur BS 5Hp | Engine cut-of wire (BS 5Hp) | 1 |
| | 13213 | | Fil arrêt moteur GC | Engine cut-of wire (GC) | 1 |
| | 13212 | | Fil arrêt moteur Robin | Engine cut-of wire (Robin) | 1 |
| 91 | 12169a | | Galet câble embrayage | Runner | 1 |
| 92 | 68364 | | Embout manette vitesse | End tube | 1 |
| 93 | 15079 | | Axe levier 2 vitesses | Lever spindle | 1 |
| 94 | 14301a | | Cache intérieur | Inner casing shell | 1 |
| 95 | 16037 | | Entretoise cache intérieur BS 5,5Hp | Spacer BS 5,5Hp | 2 |
| | 16038 | | Entr. cache int. BS 5Hp/BS 3,5Hp/GC/Robin EY20/Geotec | Spacer BS 5Hp/BS 3,5Hp/GC/Robin EY20/Geotec | 1 |
| 96 | 16009 | | Entretoise carter boulonné | Spacer | 4 |
| 97 | 16023 | | Entretoise poignée de serrage | Spacer | 1 |
| 98 | 36006 | | Pièce intermédiaire | Filler piece | 1 |
| 99 | 15431 | | Poignée de serrage | Handlebar tightening lever | 1 |
| 100 | 15029 | | Arbre Mav Mécanique | Forward gear shaft | 1 |
| 121 | 11482 | | Écrou frein M6 Z | Blocking nut M6 Z | 1 |
| 122 | 11484 | | Écrou frein M8 Z | Blocking nut M8 Z | 1 |
| 123 | 11485 | | Écrou frein M10 Z | Blocking nut M10 Z | 1 |
| 124 | 11486 | | Écrou frein M12 Z | Blocking nut M12 Z | 1 |
| 125 | 11429 | | Écrou HM10 Z | Nut HM10 Z | 1 |
| 126 | 11518 | | Écrou HM6 Z embase crantée | Nut HM6 Z, notched shoulder | 1 |
| 127 | 11519 | | Écrou HM8 Z embase crantée | Nut HM8 Z, notched shoulder | 1 |
| 128 | 11521 | | Écrou HM12 Z embase crantée | Nut HM12 Z, notched shoulder | 1 |
| 129 | 11493 | | Écrou BDR M6 | Nut BDR M6 Z | 1 |
| 141 | 11616 | | Rondelle 8 Z | Washer 8 Z | 1 |
| 143 | 11635 | | Rondelle 12x27x2,5 Z | Washer 12x27x2,5 Z | 1 |
| 144 | 11700 | | Rondelle élastique | Washer | 1 |
| 145 | 11818 | | Rondelle starlock 10 | Starlock washer 10 | 1 |
| 160 | 55080 | | Goupille clips Ø10 | Clip pin, 10mm diameter | 1 |
| 161 | 55081 | | Goupille clips Ø8 | Clip pin, 8mm diameter | 1 |
| 162 | 12979 | | Clavette arbre Ø19,05 | Key (Shaft Ø19,05) | 1 |
| | 12973 | | Clavette arbre Ø20 | Key (Shaft Ø20) | 1 |
| 163 | 11495 | | Clips 4,2 | Spire nuts 4,2 | 1 |
| 164 | 12855 | | Circlips | Circlips | 1 |
| 165 | 11135 | | Vis Tôle 4,2 | Cover bolt 4,2 | 1 |
| 180 | 14733 | | Étiq. "Danger fraises" | Label: "Danger - rotating blades" | 1 |
| 181 | 14724 | | Étiq. "Sécurité" | Safety label | 1 |
| 182 | 14734 | | Étiq. "Lire manuel" | Label: "Read the manual" | 1 |
| 183 | 64671 | | Étiquette de gaz | Label: Accelerator lever | 1 |
| 184 | 62831 | | Étiquette embrayage mécanique | Label: Clutch lever | 1 |
| 185 | 62830 | | Étiq. "inversion de vitesse " | Label: Forward and reverse gears | 1 |
| 186 | 14682 | | Étiq. "Transmission démontable" | Label, "Removable transmission" | 1 |
| 187 | 14678 | | Étiq. "Marche - Arrêt" | On/off label | 1 |
| 200 | 11176 | | Vis TF Hc M6x45 Z | Screw TF Hc M6x45 Z | 1 |
| 201 | 11116 | | Vis 5/16 TH24 UNF lg 25 emb crantée. | Screw 5/16 TH24 UNF lg 25, notched shoulder | 1 |
| 202 | 11085 | | Vis St Hc M8x16 N | Screw St Hc M8x16 N | 1 |
| 203 | 11250 | | Vis HM6x16 Z embase crantée | Screw HM6x16 Z, notched shoulder | 1 |
| 204 | 11260 | | Vis HM8x16 Z embase crantée | Screw HM8x16 Z, notched shoulder | 1 |
| 206 | 11265 | | Vis HM8x40 Z embase crantée moteur GC/Briggs/Tecum | Screw HM8x40 Z, notched shoulder motor GC/Briggs/Tecum | 1 |
| | 11266 | | Vis HM8x45 Z embase crantée moteur Robin | Screw HM8x45 Z, notched shoulder motor Robin | 1 |
| 207 | 11267 | | Vis HM8x50 Z embase crantée | Screw HM8x50 Z, notched shoulder | 1 |
| 208 | 10760 | | Vis HM6x12 | Screw HM6x12 | 1 |
| 209 | 10752 | | Vis HM6x35 | Screw HM6x35 | 1 |
| 210 | 10766 | | Vis HM8x16 | Screw HM8x16 | 1 |
| 211 | 10794 | | Vis HM8x110 Z | Screw HM8x110 Z | 1 |
| 212 | 10806 | | Vis HM10x25 Z | Screw HM10x25 Z | 1 |
| 213 | 10810 | | Vis HM10x35 Z | Screw HM10x35 Z | 1 |
| 214 | 10834 | | Vis HM10x55 Z | Screw HM10x55 Z | 1 |
| 215 | 10859 | | Vis HM12x60 Z | Screw HM12x60 Z | 1 |
| 216 | 10863 | | Vis HM12x80 Z | Screw HM12x80 Z | 1 |
| 218 | 10899 | | Vis HM14x90 Z | Screw HM14x90 Z | 1 |
| 219 | 11052 | | Vis CHc M6x20 | Screw CHc M6x20 | 1 |
| 220 | 11059 | | Vis CHc M6x35 | Screw CHc M6x35 | 1 |
| 221 | 11060 | | Vis CHc M6x40 | Screw CHc M6x40 | 1 |
| 222 | 11056 | | Vis CHc M6x45 | Screw CHc M6x45 | 1 |
| 223 | 11061 | | Vis CHc M6x50 | Screw CHc M6x50 | 1 |